



Snom Connection Guide

Compatible Desk Phones:

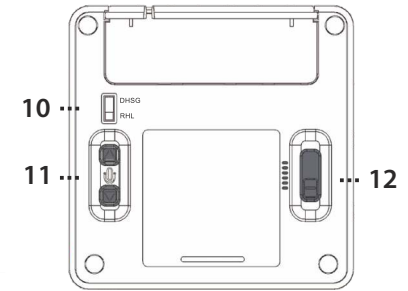
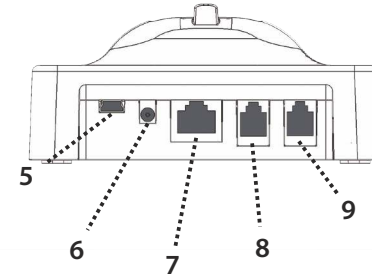
SNOM

Snom 300
 Snom 320
 Snom 360
 Snom 370
 Snom 820
 Snom 821
 Snom 870

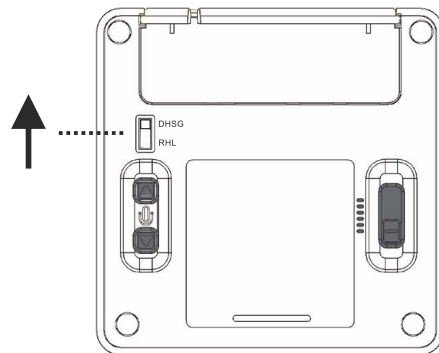
W9xx Base Layout:

A. Universal base station

- | | |
|----------------------------|-------------------------------------|
| 1. Battery Indicator | 7. EHS port |
| 2. PC button | 8. Telephone connector ('Tel' port) |
| 3. Telephone (TEL) button | 9. Handset connector |
| 4. Online indicator | 10. EHS Selection switch |
| 5. USB connector (PC port) | 11. Microphone volume up/down |
| 6. Power socket | 12. Wiring switch |



Step 1. Switch EHS Selection Switch to DHSG Setting



Step 2. Connect the headset cable from the TEL port on the Headset base to the Headset port on the telephone

Step 3. Connect the SNOM RJ45 Cable (E) to the EHS port on the Headset base and to the SNOM EHS Box

Step 4. Connect SNOM EHS Box to the Snom telephone using the correct cable for your model. Refer to Snom EHS instruction for details.

