



IPN 621 (DHSG) Aastra DHSG Cable Kit Connection Guide

Compatible Desk Phones:

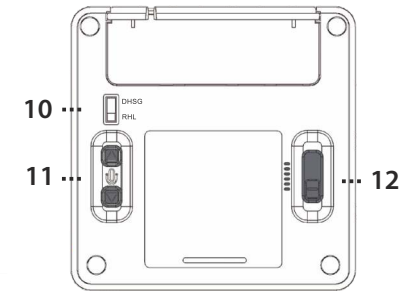
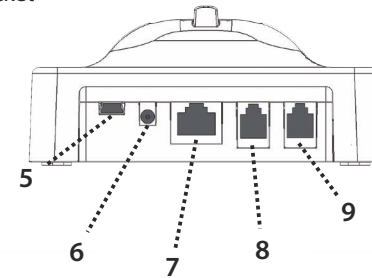
AASTRA

Aastra 6735i
 Aastra 6737i
 Aastra 6739i
 Aastra 6753i
 Aastra 6755i
 Aastra 6757i

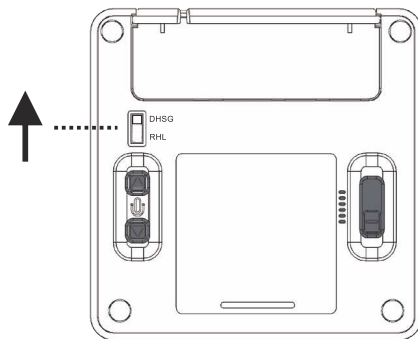
W9xx Base Layout:

A. Universal base station

- | | |
|----------------------------|-------------------------------------|
| 1. Battery Indicator | 7. EHS port |
| 2. PC button | 8. Telephone connector ('Tel' port) |
| 3. Telephone (TEL) button | 9. Handset connector |
| 4. Online indicator | 10. EHS Selection switch |
| 5. USB connector (PC port) | 11. Microphone volume up/down |
| 6. Power socket | 12. Wiring switch |



Step 1. Switch EHS Selection Switch to DHSG Setting



Step 2. Set your Aastra phone settings to headset/speaker
 Options > Preferences > Set Audio > Audio Mode > Headset/Speaker
 Aastra Web UI > Basic Settings > Preferences > General

Step 3. Connect DHSG Cable to the Headset base and RJ45 doubler supplied with the Aastra DHSG Kit

Step 4. Connect the Aastra DHSG cable to the doubler (Blue End), Expansion Module (Yellow end) and Headset port (Green End)

