



## IPN 621 (DHSG) Connection Guide

### Compatible Desk Phones:

#### SIEMENS

Siemens Openstage 30/40/60/80  
 Siemens Optipoint 410 std/adv  
 Siemens Optipoint 420 std/adv  
 Siemens Optipoint 500 std/adv/eco  
 Siemens Optipoint 600

#### TOSHIBA

Toshiba DKT 2001/2010/2020  
 Toshiba IPT 2008/2010/2020  
 Toshiba DKT 3007/3010/3014/3020  
 Toshiba DP 5008/5018/5022/5032  
 Toshiba DP 5122/5130  
 Toshiba IP 5022/5122/5131/5132/5631

#### AASTRA

Aastra 5370/5380 Standard and IP  
 Aastra 6771  
 Aastra 6773/6775 Standard and IP  
 Aastra 7434 IP/7444 IP

#### AUERSWALD

COMfortel 2500 (AB)  
 COMfortel 2600 Standard and IP  
 COMfortel 3200/3500C  
 COMfortel IP DECT

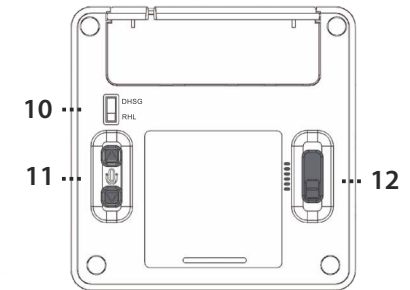
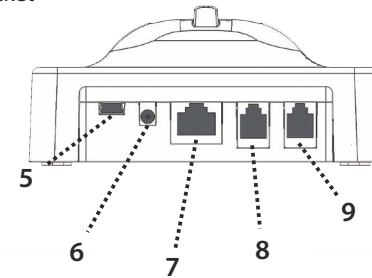
#### BINTEC ELMEG

Elmeg CS290/CS410

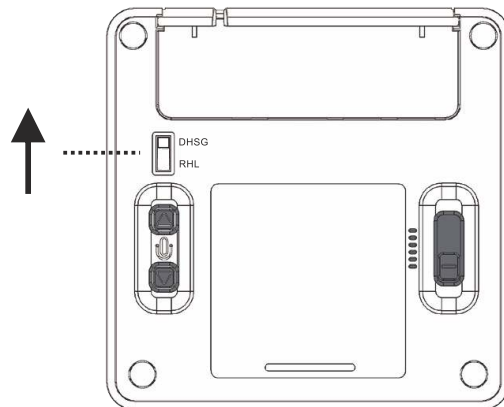
### W9xx Base Layout:

#### A. Universal base station

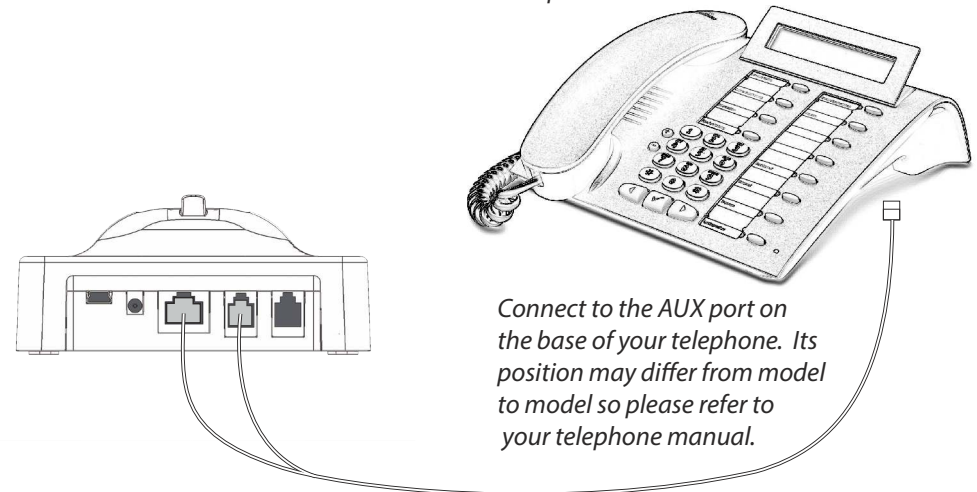
- |                            |                                     |
|----------------------------|-------------------------------------|
| 1. Battery Indicator       | 7. EHS port                         |
| 2. PC button               | 8. Telephone connector ('Tel' port) |
| 3. Telephone (TEL) button  | 9. Handset connector                |
| 4. Online indicator        | 10. EHS Selection switch            |
| 5. USB connector (PC port) | 11. Microphone volume up/down       |
| 6. Power socket            | 12. Wiring switch                   |



### Step 1. Switch EHS Selection Switch to DHSG Setting



### Step 2. Connect DHSG Cable to the Headset base and telephone



Connect to the AUX port on the base of your telephone. Its position may differ from model to model so please refer to your telephone manual.