



IPN 625 (Cisco) Connection Guide

Compatible Desk Phones:

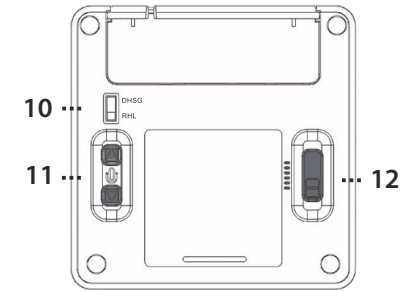
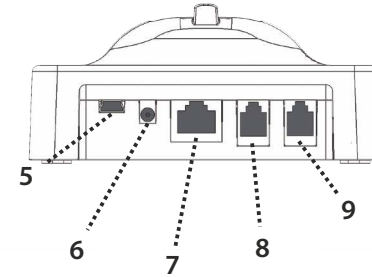
CISCO

Cisco 7942G
 Cisco 7945G
 Cisco 7962G
 Cisco 7965G
 Cisco 7975G
 Cisco 7821
 Cisco 7841
 Cisco 7861

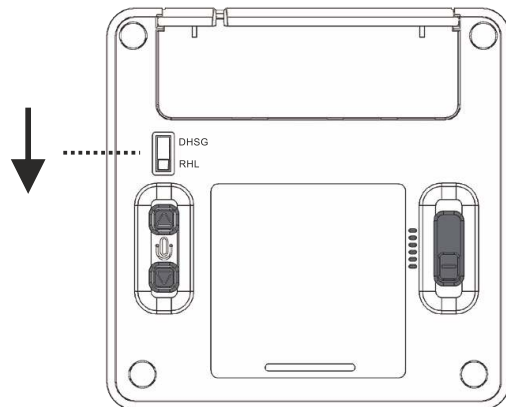
W9xx Base Layout:

A. Universal base station

- | | |
|----------------------------|-------------------------------------|
| 1. Battery Indicator | 7. EHS port |
| 2. PC button | 8. Telephone connector ('Tel' port) |
| 3. Telephone (TEL) button | 9. Handset connector |
| 4. Online indicator | 10. EHS Selection switch |
| 5. USB connector (PC port) | 11. Microphone volume up/down |
| 6. Power socket | 12. Wiring switch |



Step 1. Switch EHS Selection Switch to RHL Setting



Step 2. Connect your Cisco EHS Cable to the EHS socket on the Headset base and the AUX socket on the base of the telephone

Step 3. Connect the headset cable from the TEL port on the Headset base to the Headset port on the telephone

