



IPN 628 (Avaya B) Connection Guide

Compatible Desk Phones:

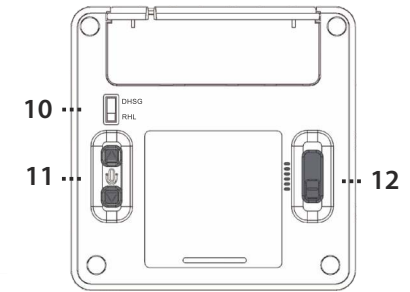
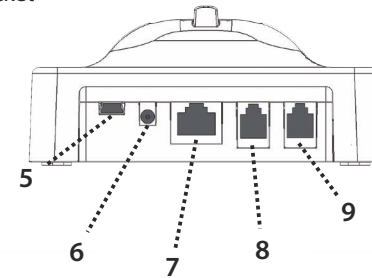
AVAYA

Avaya 2420
 Avaya 4610
 Avaya 4620
 Avaya 4621
 Avaya 4622
 Avaya 4625
 Avaya 4630
 Avaya 5420
 Avaya 5620
 Avaya 5621

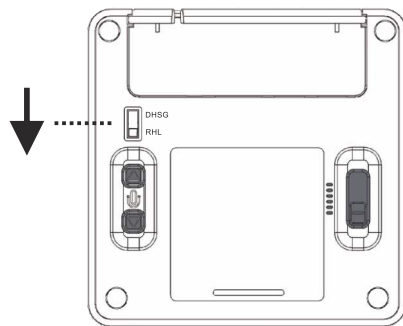
W9xx Base Layout:

A. Universal base station

- | | |
|----------------------------|-------------------------------------|
| 1. Battery Indicator | 7. EHS port |
| 2. PC button | 8. Telephone connector ('Tel' port) |
| 3. Telephone (TEL) button | 9. Handset connector |
| 4. Online indicator | 10. EHS Selection switch |
| 5. USB connector (PC port) | 11. Microphone volume up/down |
| 6. Power socket | 12. Wiring switch |



Step 1. Switch EHS Selection Switch to RHL Setting



Step 2. Connect your Avaya B EHS cable to the EHS and TEL sockets on the Headset base

Step 3. Connect the other end of the Avaya B EHS cable into the Headset port on the telephone

Step 4. Remove the white tape off the Ringer Sensor microphone, then fix the microphone to the Ringer sound outlet on your deskphone.

Step 5. Plug the Ringer Sensor cable into the MIC jack on the EHS Cable box

