



IPN 630 (Panasonic) Connection Guide

Compatible Desk Phones:

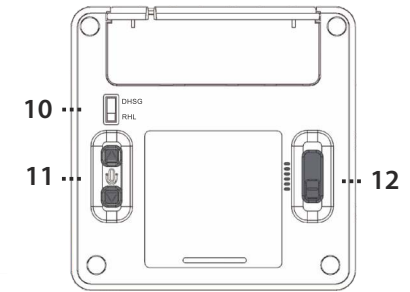
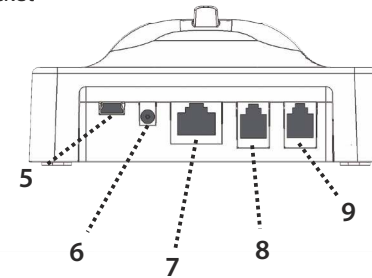
PANASONIC

KX-UT133
 KX-UT136
 KX-NT553
 KX-NT556
 KX-DT543
 KX-DT546
 KX-DT554

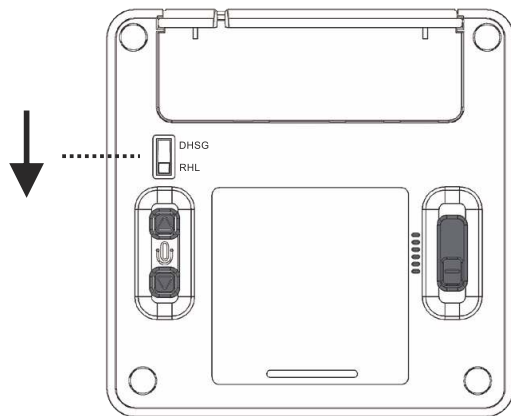
W9xx Base Layout:

A. Universal base station

- | | |
|----------------------------|-------------------------------------|
| 1. Battery Indicator | 7. EHS port |
| 2. PC button | 8. Telephone connector ('Tel' port) |
| 3. Telephone (TEL) button | 9. Handset connector |
| 4. Online indicator | 10. EHS Selection switch |
| 5. USB connector (PC port) | 11. Microphone volume up/down |
| 6. Power socket | 12. Wiring switch |



Step 1. Switch EHS Selection Switch to RHL Setting



Step 3. Connect your Panasonic EHS Cable to the EHS socket on the Headset base and the AUX socket on the base of the telephone

Step 4. Connect the headset cable from the TEL port on the Headset base to the Headset port on the telephone

